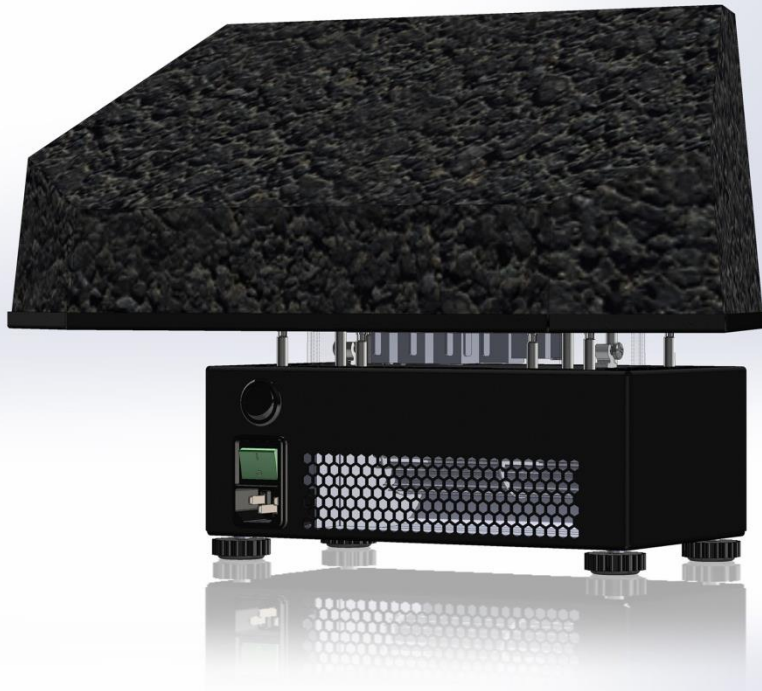




PERCYDOUGHTY

## PD ELECTRIC FUEL EFFECT HEATER



*This product is not suitable for primary heating purposes.*

## IMPORTANT INFORMATION

- This appliance is intended for domestic household use only and should not be used for any other purpose or in any other application, such as for non-domestic use or in a commercial environment.
- If the supply cord is damaged, it must be replaced by the manufacturer, its service agent or similarly qualified persons in order to avoid a hazard.
- Children of less than 3 years should be kept away from the products unless continuously supervised.
- Children aged from 3 years and less than 8 years shall only switch on/off the appliance provided that it has been placed in its intended normal operating position and they have been given supervision or instruction concerning use of the appliance in a safe way and understand the hazards involved.
- Children aged from 3 years and less than 8 years shall not plug in, regulate and clean the appliance or perform user maintenance.
- **CAUTION:** Some parts of this product can become very hot and cause burns.
- Particular attention has to be given where children and vulnerable people are present.
- **CAUTION:** In order to avoid a hazard due to inadvertent resetting of the thermal cut-out, this appliance must not be supplied through an external switching device, such as a timer, or connected to a circuit that is regularly switched on and off by the utility.
- **WARNING:** In order to avoid overheating, do not cover the heater.
- The heater must not be located immediately below a socket-outlet.
- **WARNING:** The heater must not be used if the glass panel is damaged.
- Do not use this heater with a programmer, timer, separate remote control system or any other device that switches the heater on automatically, since a fire risk exists if the heater is covered or positioned incorrectly.
- Do not use this heater in the immediate surroundings of a bath, a shower or a swimming pool.
- **WARNING:** This heater is not equipped with a device to control the room temperature. Do not use this heater in small rooms when they are occupied by persons not capable of leaving the room on their own, unless constant supervision is provided.
- The plug must remain easily accessible after installation of the appliance.
- As a safety precaution, the heating element of this appliance will automatically turn off once temperature sensor has detected the room temperature has reached 35 °C.

## SAFETY INSTRUCTIONS

- Keep the appliance away at least 1 meter from furniture, curtains or other combustible material when in use.
- This appliance can be used by children aged from 8 years and above and persons with reduced physical, sensory or mental capabilities or lack of experience and knowledge if they have been given supervision or instruction concerning use of the appliance in a safe way and understand the hazards involved. Children shall not play with the appliance. Cleaning and user maintenance shall not be made by children without supervision.
- Do not use the appliance in rooms with explosive gas (e.g. petrol) or while using inflammable glue or solvent (e.g. when gluing or varnishing parquet floors, PVC etc.).
- Do not insert any objects into the appliance.
- Do not place the cord under a rug.
- Do not operate the appliance near flammable materials or fire.
- Switch off and unplug the appliance from the mains socket when not in use or before cleaning and maintenance.
- Do not place objects on the appliance or allow objects to obstruct the air circulation around the appliance, or operate in close proximity to curtains, loose drapes or furnishings.
- Do not clean the appliance with abrasive cleaners.

### REMOTE CONTROL BATTERY WARNING:

- Only adults should handle the batteries. Do not allow a child to use the remote control unless the Battery Cover is securely attached to the Battery Compartment.
- The battery type used in this remote control is ONE **CR2025** size 1.5V battery. The battery are located internally and is readily accessible.
- Remove the battery cover on the back of the remote control to remove the batteries.
- Different types of batteries or new and used batteries are not to be mixed.
- Batteries are to be inserted with the correct polarity.
- Exhausted batteries are to be removed from the product.
- Attention should be drawn to the environmental aspects of battery disposal. Don't throw used batteries in dustbin. These batteries must be disposed of safely at your local recycling point.

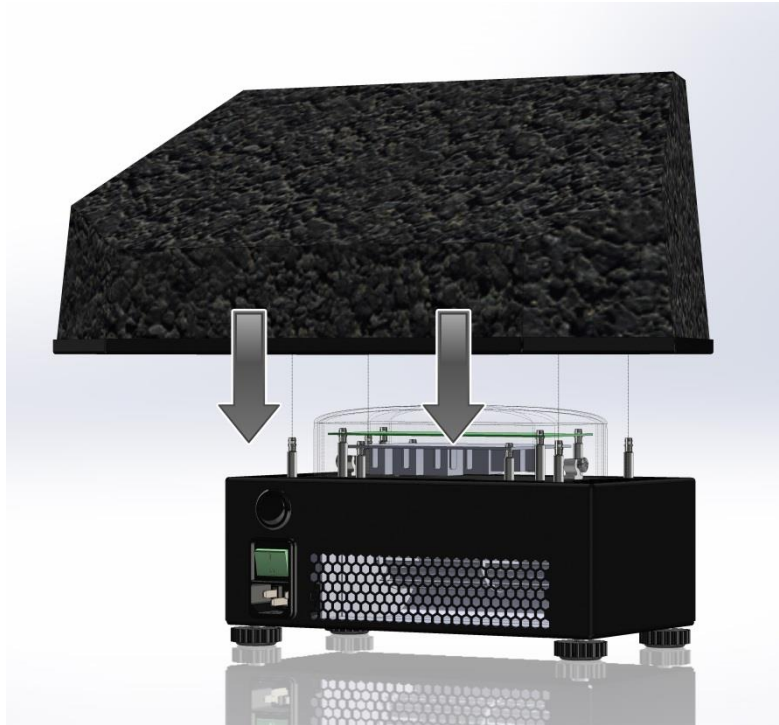
**BATTERIES ARE DANGEROUS IF SWALLOWED!**



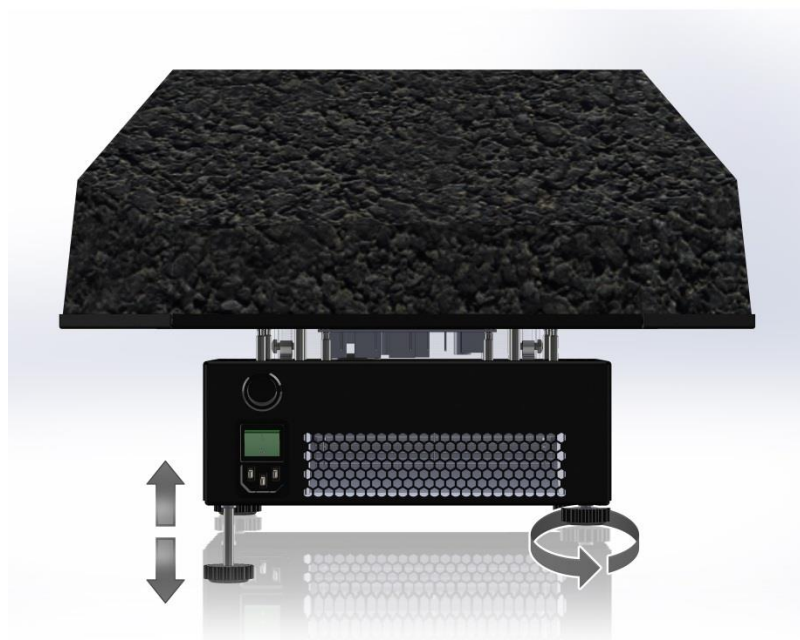
DANGER if swallowed

## APPLIANCE ASSEMBLY

- This appliance can be supplied with a imitation fuel bed. To assemble, simply align the four push studs on the top of the heater with the four holes on the underside of the fuel bed and push until you hear a 'click'. The fuel bed should now be locked into position.

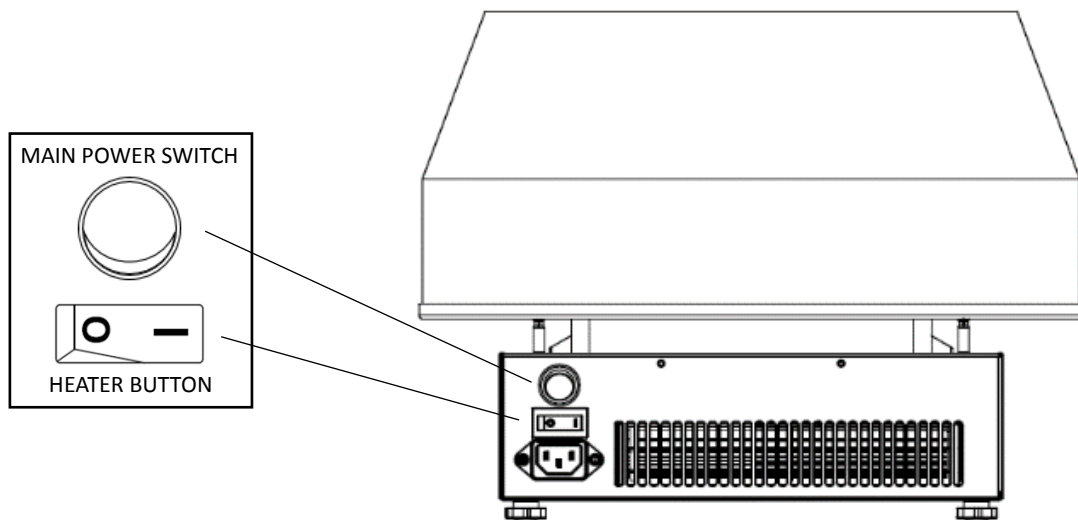


- You can adjust the height of the appliance by rotating the four feet on the bottom of the heater. **When setting the height, please ensure that the heater output vents are not obstructed.**



## MANUAL OPERATION

- Ensure the appliance is properly placed on a stable level surface. Plug it into the mains socket.
- The main power and heater switches are located at the top left hand side of the front of the appliance.



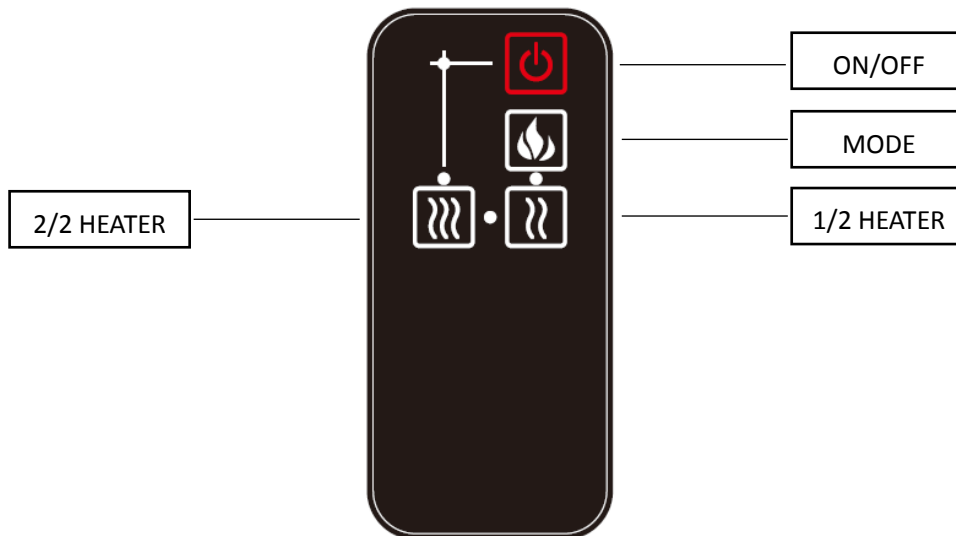
Turn the **main power switch** to the “1” position to turn power on. “0” position is to turn off. A beep will be heard and fireplace is on standby ready for operating.



Touch the **heater button** once – this activates the illuminated coal bed.  
Touch the **heater button** again – this activates the heater at 1kW setting.  
Touch the **heater button** a third time – this activates the heater at 2kW setting.  
Touch the **heater button** a fourth time - completely turn the fan/heater off.

## REMOTE CONTROL OPERATION

- Please ensure the batteries have been installed correctly into the remote control handset before use.
- The remote control handset must remain within 3 meters of the appliance to be effective.
- Ensure that the **main power switch** is in the “1” position (ON) before using the remote control handset.



Press the button to activate the illuminated coal bed.



Press the button to active the heater at 1kW setting.



Press the button to active the heater at 2kW setting.



Press the button repeatedly to cycle through the coal bed illumination settings.

There are four different setting to choose from:

Effect mode 1: Slow flicker

Effect mode 2: Regular flicker

Effect mode 3: Fast flicker

Effect mode 4: Circulatory flicker

# TECHNICAL INFORMATION

## PORTABLE ELECTRIC LOCAL SPACE HEATER

Model identifier(s): PD Electric Fuel Effect Heater

Item	Symbol	Value	Unit	Item	Unit
<b>Heat output</b>				<b>Type of heat input, for electric storage local space heaters only (select one)</b>	
Nominal heat output	$P_{nom}$	1.8	kW	manual heat charge control, with integrated thermostat	[no]
Minimum heat output (indicative)	$P_{min}$	[N/A]	kW	manual heat charge control with room and/or outdoor temperature feedback	[no]
Maximum continuous heat output	$P_{max,c}$	[N/A]	kW	electronic heat charge control with room and/or outdoor temperature feedback	[no]
<b>Auxiliary electricity consumption</b>		[N/A]		fan assisted heat output	[no]
At nominal heat output	$e_{max}$	[N/A]	kW	<b>Type of heat output/room temperature control (select one)</b>	
At minimum heat output	$e_{min}$	[N/A]	kW	single stage heat output and no room temperature control	[no]
In standby mode	$e_{sb}$	0.31	kW	Two or more manual stages, no room temperature control	[no]
				with mechanic thermostat room temperature control	[no]
				with electronic room temperature control	[yes]
				electronic room temperature control plus day timer	[no]
				electronic room temperature control plus week timer	[no]
				<b>Other control options (multiple selections possible)</b>	
				room temperature control, with presence detection	[no]
				room temperature control, with open window detection	[no]
				with distance control option	[no]
				with adaptive start control	[no]
				with working time limitation	[no]
				with black bulb sensor	[no]
Contact details	PERCY DOUGHTY, IMPERIAL POINT, EXPRESS TRADING ESTATE, STONE HILL ROAD, FARNWORTH, BOLTON. BL4 9TN				



**Imperial Point, Express Trading Estate**  
**Stone Hill Road, Farnworth, Bolton, BL4 9TN**  
**Email: [sales@percydoughty.com](mailto:sales@percydoughty.com)**